

# Power Beam Hybrid Daylight 800W Tungsten 1000W



## LAMPHEAD CONTENTS

Lamp Housing with

- High Reflective Parabolic Glass Mirror
- On-Off Switch
- Stirrup with Ø28mm Spigot
- Lamphead to EB Cable 7m
- Inlet Cable 7m ( Bare End )

# Exclude Lamp Bulb

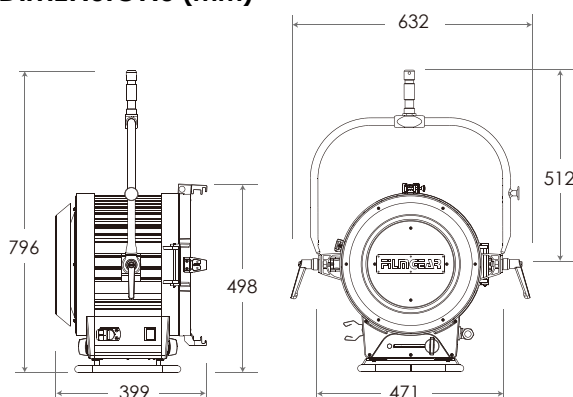
# HMI Mode : Requires Electronic Ballast

## Power Beam Hybrid D08T1

### SPECIFICATIONS

Identity No.	L0080PBH
Capacity	Daylight : 800W Tungsten : 1,000W
Voltage	Daylight : 95V Tungsten : 100 - 250V AC
Parabolic Reflector	Ø318mm
Protective Lens	Ø313mm
Lamp Type	HMI 800W SE Tungsten 1000W SE
Lamp Base	G22
Stirrup	Ø28mm (1-1/8 in.) Spigot
Class / IP Rating	1 / IP 23
Max. Surface Temp.	150 °C
Min. Distance to Illuminated Object	3.5m
Min. Distance to Flammable Object	0.5m
Operating Range	+45° ~ 0° ~ -45°
Weight (lamphead)	15kg

### DIMENSIONS (mm)



### PHOTOMETRIC DATA

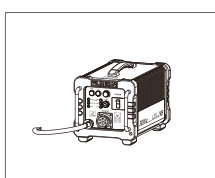
#### DAYLIGHT 800W

		7m	20m	35m	50m	75m
<b>800W</b>	Lux	65300	7999	2612	1280	569
	Spot Beam Ø	0.36 m	0.36 m	0.36 m	0.36 m	0.36 m
Flood	Lux	5130	628	205	101	45
	Beam Ø	1.90 m	5.27 m	9.22 m	13.17 m	19.75 m

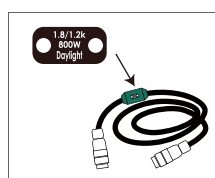
#### TUNGSTEN 1000W

		7m	20m	35m	50m
<b>1kW</b>	Lux	11985	1468	479	235
	Spot Beam Ø	0.78 m	2.22 m	3.89 m	5.56 m
Flood	Lux	719	88	29	14
	Beam Ø	3.11 m	8.89 m	15.56 m	22.22 m

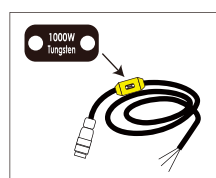
### ACCESSORIES



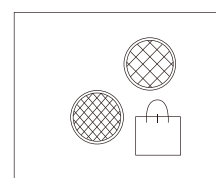
800W/575W  
Electronic Ballast



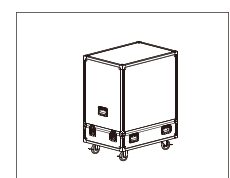
800W Head to  
Ballast Cable



1kW Cable  
(Bare End)



Scrim with Bag



Transport Case