



Tungsten Power Beam 24kW/20kW

LAMPHEAD CONTENTS

- Lamp Housing without Bulb #
(purple grey & silver color)
- High Reflective Parabolic Glass Mirror
- Inlet Cable 1.5m (Bare End) *
- Stirrup with Ø28mm (1-1/8 in.) Spigot

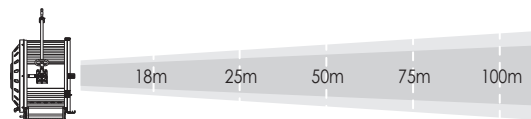
* No Switch
Requires Lamp Bulb

Tungsten Power Beam 24kW/20kW

SPECIFICATIONS

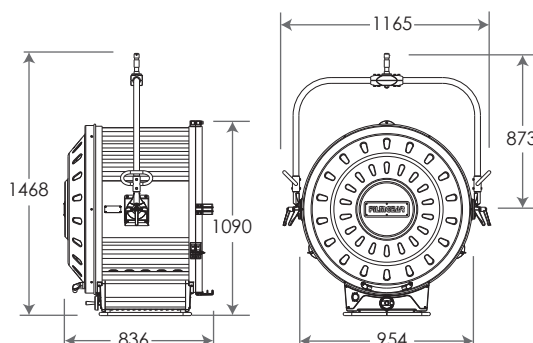
Identity No.	L24020TPB (220V)
Capacity	24,000W / 20,000W
Lamp Bulb Voltage	200 - 240V AC
Parabolic Reflector	Ø914mm
UV Protective Lens	Ø883mm
Lamp Type	24kW/20kW SE
Color Temp.	3200K
Lamp Holder	G38
Stirrup	Ø28mm (1-1/8 in.) Spigot
Class / IP Rating	1 / IP 23
Max. Surface Temp.	240 °C
Max. Ambient Temp.	45 °C
Min. Distance to Illuminated Object	18m / 16m
Min. Distance to Flammable Object	2.5m
Operating Range	+30° ~ 0° ~ -30°
Weight (lamphead)	81kg

PHOTOMETRIC DATA



		18m	25m	50m	75m	100m
24kW	Spot	Lux 24916	12918	3230	1435	807
	Beam Ø	1.73 m	2.4 m	4.8 m	7.2 m	9.6 m
Flood	Lux	7864	4075	1019	453	255
	Beam Ø	5.34 m	7.41 m	14.82 m	22.23 m	29.64 m
20kW	Spot	Lux 26380	13675	3419	1519	855
	Beam Ø	1.73 m	2.4 m	4.8 m	7.2 m	9.6 m
Flood	Lux	6944	3599	900	400	225
	Beam Ø	5.34 m	7.41 m	14.82 m	22.23 m	29.64 m

DIMENSIONS (mm)



ACCESSORIES

