



Tungsten Power Beam 12kW/10kW

LAMPHEAD CONTENTS

- Lamp Housing without Bulb # (purple grey & silver color)
- High Reflective Parabolic Glass Mirror
- On-Off Switch
- Inlet Cable 1.5m (Bare End)
- Stirrup with Ø28mm (1-1/8 in.) Spigot

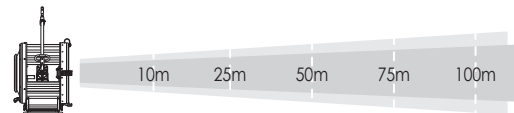
Requires Lamp Bulb

Tungsten Power Beam 12kW/10kW

SPECIFICATIONS

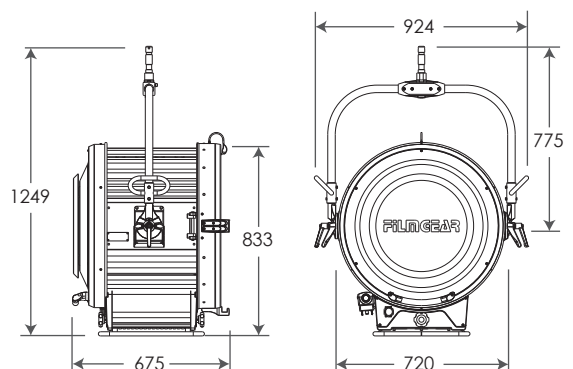
| | |
|-------------------------------------|--------------------------|
| Identify No. | L12010TPB (220V) |
| Capacity | 12,000W / 10,000W |
| Lamp Bulb Voltage | 200 - 240V AC |
| Parabolic Reflector | Ø628mm |
| UV Protective Lens | Ø645mm |
| Lamp Type | 12kW/10kW SE |
| Color Temp. | 3200K |
| Lamp Holder | G38 |
| Stirrup | Ø28mm (1-1/8 in.) Spigot |
| Class / IP Rating | 1 / IP 23 |
| Max. Surface Temp. | 220 °C |
| Max. Ambient Temp. | 45 °C |
| Min. Distance to Illuminated Object | 12m / 10m |
| Min. Distance to Flammable Object | 2m |
| Operating Range | +45° ~ 0° ~ -45° |
| Weight (lamphead) | 52kg |

PHOTOMETRIC DATA



| | | 10m | 25m | 50m | 75m | 100m |
|-------------|--------|-----------|---------|---------|---------|---------|
| 12kW | Spot | Lux 32400 | 5184 | 1296 | 576 | 324 |
| | Beam Ø | 1.3 m | 3.25 m | 6.5 m | 9.74 m | 12.99 m |
| Flood | Lux | 6800 | 1088 | 272 | 121 | 68 |
| | Beam Ø | 4.29 m | 10.74 m | 21.47 m | 32.21 m | 42.95 m |
| 10kW | Spot | Lux 30290 | 4846 | 1212 | 538 | 303 |
| | Beam Ø | 1.3 m | 3.25 m | 6.5 m | 9.74 m | 12.99 m |
| Flood | Lux | 6350 | 1016 | 254 | 113 | 64 |
| | Beam Ø | 4.29 m | 10.74 m | 21.47 m | 32.21 m | 42.95 m |

DIMENSIONS (mm)



ACCESSORIES



Electronic Dimmer
24kW / 12kW



Ø737 Scrimms
with Bag



Transport Case