



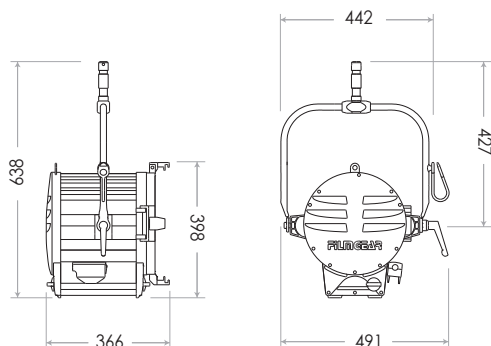
## Tungsten Fresnel 2000W Studio

### LAMPHEAD CONTENTS

- Lamp Housing without Bulb # (purple grey & silver color)
- 4-leaf Rotatable Barndoor with Safety Wire
- Ø250mm (9-7/8 in.) Fresnel Lens
- Panel Switch
- Inlet Cable 4m (13 ft.)
- Stirrup with Ø28mm (1-1/8 in.) Spigot

# Requires Lamp Bulb

### DIMENSIONS (mm)



## Tungsten Fresnel 2000W Studio

### SPECIFICATIONS

Identity No.	L02000TF
Capacity	2,000W
Voltage	100 - 250V AC
Fresnel Lens	Ø250mm (9-7/8 in.)
Lamp Type	2000W SE
Color Temp.	3200K
Lamp Holder	G38
Stirrup	Ø28mm (1-1/8 in.) Spigot
Class / IP Rating	1 / IP 23
Max. Surface Temp.	190 °C
Max. Ambient Temp.	45 °C
Min. Distance to Illuminated Object	2m
Min. Distance to Flammable Object	1m
Operating Range	+45° ~ 0° ~ -45°
Weight (lamphead)	12.2kg
Weight (with barndoor)	13.9kg

### ACCESSORIES

4-leaf Rotatable Barndoor

Filter Frame

Set of 4 Scrims Ø330mm (13 in.) :

Full Single, Full Double, Half Single, Half Double

Scrim Bag

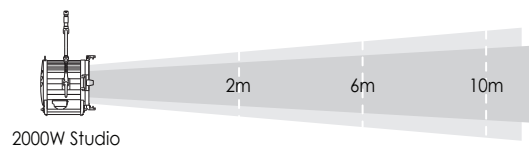
Variable Snoot

Spill Ring

Safety Cable (for lamphead)

Safety Wire (for barndoor)

### PHOTOMETRIC DATA



2000W Studio

Spot (9°)			
Lux	95319	10591	3813
Beam Ø	0.31 m	0.94 m	1.57 m
Flood (52°)			
Lux	10933	1215	437
Beam Ø	1.95 m	5.85 m	9.75 m