



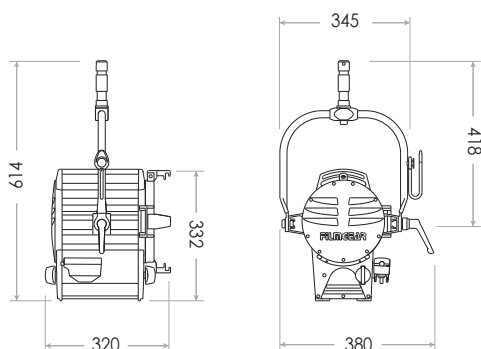
Tungsten Fresnel 2000W Junior

LAMPHEAD CONTENTS

- Lamp Housing without Bulb # (purple grey & silver color)
- 4-leaf Rotatable Barndoor with Safety Wire
- Ø175mm (6-7/8 in.) Fresnel Lens
- Panel Switch
- Inlet Cable 4m (13 ft.)
- Stirrup with Ø28mm (1-1/8 in.) Spigot

Requires Lamp Bulb

DIMENSIONS (mm)



Tungsten Fresnel 2000W Junior

SPECIFICATIONS

Identity No.	L02000TJ
Capacity	2,000W
Voltage	100 - 250V AC
Fresnel Lens	Ø175mm (6-7/8 in.)
Lamp Type	2000W SE
Color Temp.	3200K
Lamp Holder	G38
Stirrup	Ø28mm (1-1/8 in.) Spigot
Class / IP Rating	1 / IP 20
Max. Surface Temp.	220 °C
Max. Ambient Temp.	45 °C
Min. Distance to Illuminated Object	2m
Min. Distance to Flammable Object	1m
Operating Range	+45° ~ 0° ~ -45°
Weight (lamphead)	8.8kg
Weight (with barndoor)	9.8kg

ACCESSORIES

4-leaf Rotatable Barndoor

Filter Frame

Set of 4 Scrims Ø229mm (9 in.) :

Full Single, Full Double, Half Single, Half Double

Scrim Bag

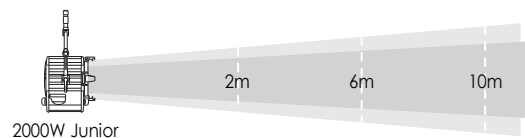
Variable Snoot

Spill Ring

Safety Cable (for lamphead)

Safety Wire (for barndoor)

PHOTOMETRIC DATA



	2m	6m	10m
Spot (10°)			
Lux	54414	6046	2177
Beam Ø	0.35 m	1.05 m	1.75 m
Flood (56°)			
Lux	8156	906	326
Beam Ø	2.17 m	6.38 m	10.63 m