



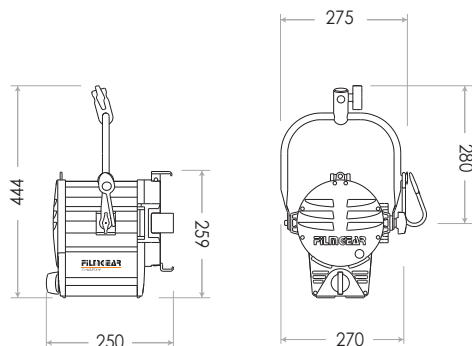
Tungsten Fresnel 1000W Junior

LAMPHEAD CONTENTS

- Lamp Housing without Bulb # (purple grey & silver color)
- 4-leaf Rotatable Barndoor with Safety Wire
- Ø130mm (5-1/8 in.) Fresnel Lens
- In-Line Switch
- Inlet Cable 4m (13 ft.)
- Stirrup with Ø16mm (5/8 in.) Socket

Requires Lamp Bulb

DIMENSIONS (mm)



Tungsten Fresnel 1000W Junior

SPECIFICATIONS

Identity No.	L01000TJ
Capacity	1,000W
Voltage	100 - 250V AC
Fresnel Lens	Ø130mm (5-1/8 in.)
Lamp Type	1000W SE
Color Temp.	3200K
Lamp Holder	G22
Stirrup	Ø16mm (5/8 in.) Socket
Class / IP Rating	1 / IP 23
Max. Surface Temp.	220 °C
Max. Ambient Temp.	45 °C
Min. Distance to Illuminated Object	1.5m
Min. Distance to Flammable Object	0.5m
Operating Range	+45° ~ 0° ~ -45°
Weight (lamphead)	4.3kg
Weight (with barndoor)	4.9kg

ACCESSORIES

4-leaf Rotatable Barndoor

Filter Frame

Set of 4 Scrims Ø197mm (7-3/4 in.) :

Full Single, Full Double, Half Single, Half Double

Scrim Bag

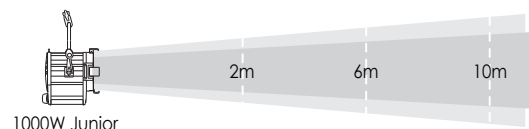
Variable Snoot

Spill Ring

Safety Cable (for lamphead)

Safety Wire (for barndoor)

PHOTOMETRIC DATA



1000W Junior

	2m	6m	10m
Spot (10°)			
Lux	30805	3423	1232
Beam Ø	0.35 m	1.05 m	1.75 m
Flood (57°)			
Lux	4621	513	185
Beam Ø	2.17 m	6.52 m	10.86 m