



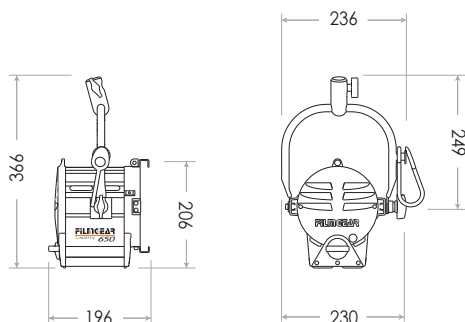
Tungsten Fresnel 650W Junior

LAMPHEAD CONTENTS

- Lamp Housing without Bulb # (purple grey & silver color)
- 4-leaf Rotatable Barndoor with Safety Wire
- Ø112mm (4-3/8 in.) Fresnel Lens
- In-Line Switch
- Inlet Cable 4m (13 ft.)
- Stirrup with Ø16mm (5/8 in.) Socket

Requires Lamp Bulb

DIMENSIONS (mm)



Tungsten Fresnel 650W Junior

SPECIFICATIONS

Identity No.	L00650TJ
Capacity	650W
Voltage	100 - 250V AC
Fresnel Lens	Ø112mm (4-3/8 in.)
Lamp Type	650W SE
Color Temp.	3200K
Lamp Holder	GY9.5
Stirrup	Ø16mm (5/8 in.) Socket
Class / IP Rating	1 / IP 23
Max. Surface Temp.	190 °C
Max. Ambient Temp.	45 °C
Min. Distance to Illuminated Object	1m
Min. Distance to Flammable Object	0.5m
Operating Range	+45° ~ 0° ~ -45°
Weight (lamphead)	3kg
Weight (with barndoor)	3.5kg

ACCESSORIES

4-leaf Rotatable Barndoor

Filter Frame

Set of 4 Scrims Ø168mm (6-5/8 in.) :

Full Single, Full Double, Half Single, Half Double

Scrim Bag

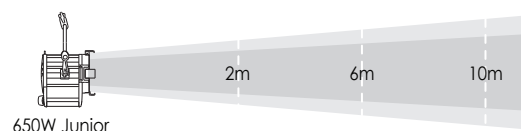
Variable Snoot

Spill Ring

Safety Cable (for lamphead)

Safety Wire (for barndoor)

PHOTOMETRIC DATA



650W Junior

	2m	6m	10m
Spot (11°)			
Lux	17498	1944	700
Beam Ø	0.39 m	1.16 m	1.93 m
Flood (54°)			
Lux	3232	359	129
Beam Ø	2.04 m	6.11 m	10.19 m