



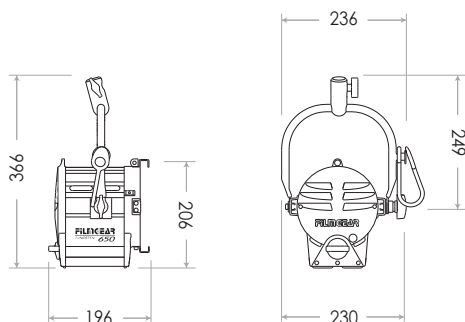
Tungsten Fresnel 650W Junior

LAMPHEAD CONTENTS

- Lamp Housing without Bulb # (purple grey & silver color)
- 4-leaf Rotatable Barndoor with Safety Wire
- Ø112mm (4-3/8 in.) Fresnel Lens
- In-Line Switch
- Inlet Cable 4m (13 ft.)
- Stirrup with Ø16mm (5/8 in.) Socket

Requires Lamp Bulb

DIMENSIONS (mm)



Tungsten Fresnel 650W Junior

SPECIFICATIONS

Identity No.	L00650TJ
Capacity	650W
Voltage	100 - 250V AC
Fresnel Lens	Ø112mm (4-3/8 in.)
Lamp Type	650W SE
Color Temp.	3200K
Lamp Holder	GY9.5
Stirrup	Ø16mm (5/8 in.) Socket
Class / IP Rating	1 / IP 23
Max. Surface Temp.	190 °C
Max. Ambient Temp.	45 °C
Min. Distance to Illuminated Object	1m
Min. Distance to Flammable Object	0.5m
Operating Range	+45° ~ 0° ~ -45°
Weight (lamphead)	3kg
Weight (with barndoor)	3.5kg

ACCESSORIES

4-leaf Rotatable Barndoor

Filter Frame

Set of 4 Scrims Ø168mm (6-5/8 in.) :

Full Single, Full Double, Half Single, Half Double

Scrim Bag

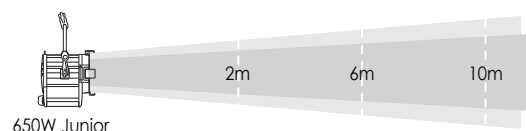
Variable Snoot

Spill Ring

Safety Cable (for lamphead)

Safety Wire (for barndoor)

PHOTOMETRIC DATA



650W Junior

Spot (11°)			
Lux	17498	1944	700
Beam Ø	0.39 m	1.16 m	1.93 m
Flood (54°)			
Lux	3232	359	129
Beam Ø	2.04 m	6.11 m	10.19 m