



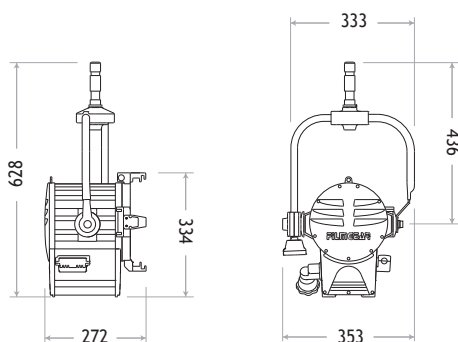
## Tungsten Fresnel 1000W Studio P.O.

### LAMPHEAD CONTENTS

- Lamp Housing without Bulb # (purple grey & silver color)
- 4-leaf Rotatable Barndoor with Safety Wire
- Ø175mm (6-7/8 in.) Fresnel Lens
- Inlet Cable 4m (13 ft.)
- Pole Operated Stirrup with Ø28mm (1-1/8 in.) Spigot

# Requires Lamp Bulb

### DIMENSIONS (mm)



## Tungsten Fresnel 1000W Studio P.O.

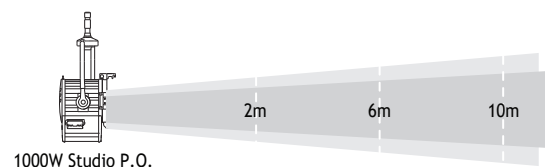
### SPECIFICATIONS

Identity No.	LN1000TF
Capacity	1,000W
Voltage	100 - 250V AC
Fresnel Lens	Ø175mm (6-7/8 in.)
Lamp Type	1000W SE
Color Temp.	3200K
Lamp Holder	G22
P.O. Stirrup	Ø28mm (1-1/8 in.) Spigot
Class / IP Rating	1 / IP 23
Max. Surface Temp.	190 °C
Max. Ambient Temp.	45 °C
Min. Distance to Illuminated Object	1.5m
Min. Distance to Flammable Object	0.5m
Operating Range	+45° ~ 0° ~ -45°
Weight (lamphead)	8.1kg
Weight (with barndoor)	9.1kg

### ACCESSORIES

- 4-leaf Rotatable Barndoor
- Rotary Switch
- Filter Frame
- Set of 4 Scrims Ø229mm (9 in.) :
  - Full Single, Full Double, Half Single, Half Double
- Scrim Bag
- Variable Snoot
- Spill Ring
- Safety Cable (for lamphead)
- Safety Wire (for barndoor)

### PHOTOMETRIC DATA



	2m	6m	10m
Spot (8°)			
Lux	38708	4301	1548
Beam Ø	0.28 m	0.84 m	1.40 m
Flood (55°)			
Lux	4644	516	186
Beam Ø	2.08 m	6.24 m	10.41 m