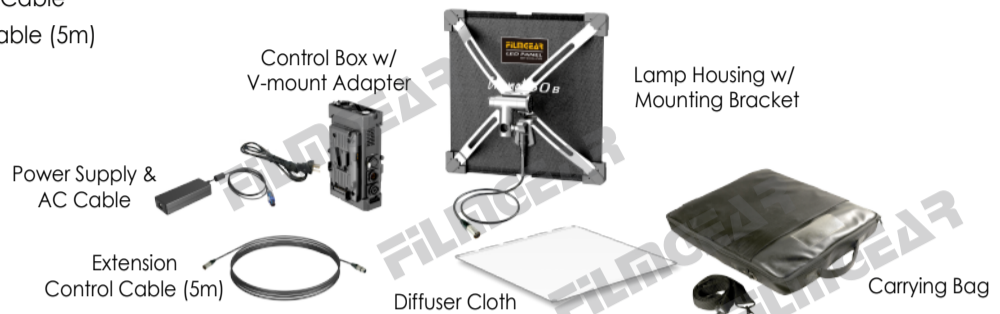


Cinemat 50B

LAMPHEAD CONTENTS

- Lamp Housing
- Mounting Bracket
- Diffuser
- Control Box with V-mount Adapter
- Power Supply & AC Cable
- Extension Control Cable (5m)
- Carrying Bag



CINEMAT 50B

SPECIFICATIONS

Identity No.	L0005CMB
Max. Capacity	50W
Color Temp.	2800K - 6200K
CRI	Average >95
TLCI	Average >95
Dimming Range	0-100%
Control Signal	DMX 512
DMX Channel	2
LED Lifetime	30,000 Hrs (Estimated)
LED	288 pcs. Cold White SMDLED
	288 pcs. Warm White SMDLED
Weight	405g

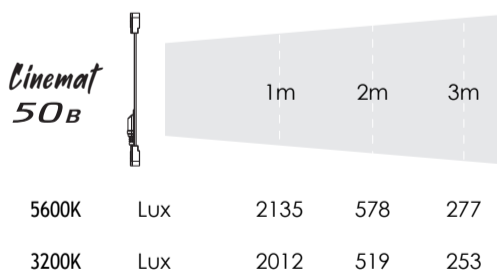
CONTROL BOX

Identity	A0050LCB
Capacity	50W
Input Voltage	22 - 36V DC
Weight	990 g

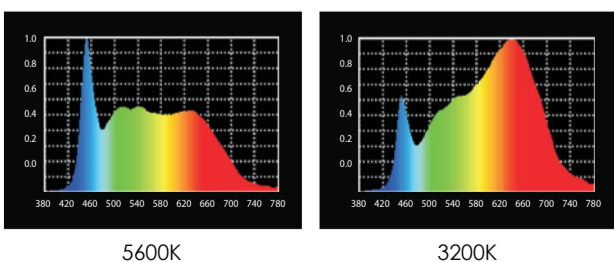
POWER SUPPLY

Capacity	90W
Input Voltage	100 - 240V AC

PHOTOMETRIC DATA



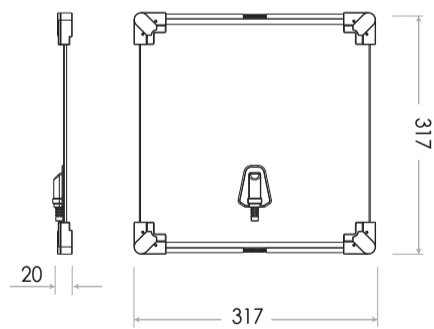
SPECTRUM



ACCESSORIES



DIMENSIONS (mm)



HISTOGRAM

