



*Apollo 500T*      *Apollo 500D*

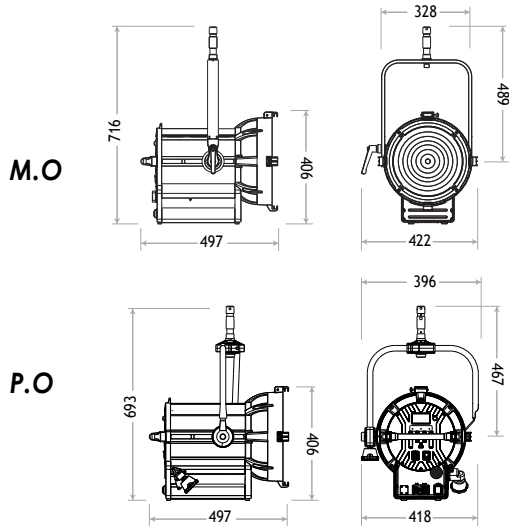
# Apollo 500

LED SPOT (Daylight/Tungsten)

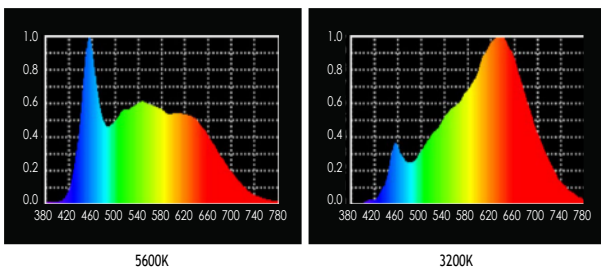
### LAMPHEAD CONTENTS

- Lamp Housing
- 4-leaf Rotatable Barndoor with Safety Wire
- M.O. / P.O. Stirrup with Ø28mm (1-1/8 in.) Spigot
- AC Cable

### DIMENSIONS (mm)



### SPECTRUM



## APOLLO 500D (Daylight) APOLLO 500T (Tungsten)

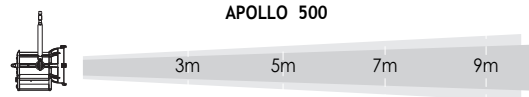
### SPECIFICATIONS

Identity No.	L0050LFD (Daylight / M.O.)
	L0050LFD (Daylight / P.O.)
	L0050LFT (Tungsten / M.O.)
	L0050LFT (Tungsten / P.O.)
Max. Capacity	500W
Voltage	95 - 260V AC
Frequency	50Hz / 60Hz
Current	2.3A @220V AC
Fresnel Lens	Ø250mm
Color Temp.	5600K or 3200K
CRI	Average >95
TLCI	Average >95
Dimming Range	0-100%
Control Signal	DMX 512
DMX Channel	2 or 3
LED Lifetime	30,000 Hrs (Estimated)
M.O. / P.O. Stirrup	with Ø28mm (1-1/8 in.) Spigot
Class / IP Rating	1 / IP 23
Max. Surface Temp.	60 °C
Max. Ambient Temp.	45 °C
Operating Range	+45° ~ 0° ~ -45°
Weight (Lamphead)	15 kg (M.O.) 16 kg (P.O.)

### ACCESSORIES

- Filter Frame
- Safety Cable (for lamphead)

### PHOTOMETRIC DATA



		APOLLO 500			
		3m	5m	7m	9m
<b>5600K</b>					
Spot Lux		27747	9989	5096	3083
15° Beam Ø		0.79m	1.32m	1.84m	2.37m
Flood Lux		7487	2695	1375	832
55° Beam Ø		3.12m	5.21m	7.29m	9.37m
<b>3200K</b>					
Spot Lux		22903	8245	4207	2545
15° Beam Ø		0.79m	1.32m	1.84m	2.37m
Flood Lux		7551	2718	1387	839
55° Beam Ø		3.12m	5.21m	7.29m	9.37m

### HISTOGRAM

